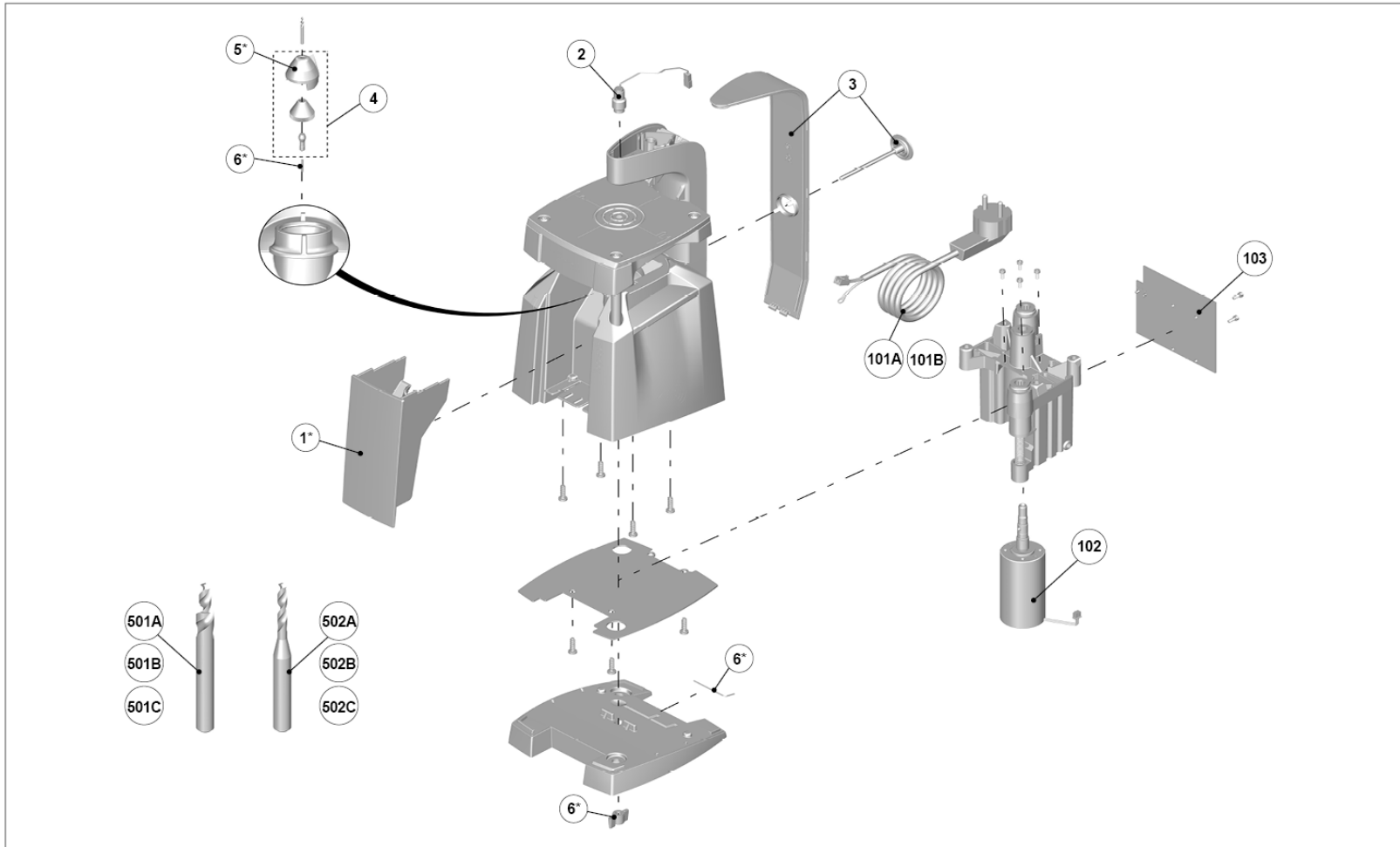




Reparaturzeichnung • Repair services drawings • Eclatés pour les services de réparation • Esplosi per servizi d'assistenza  
Diseños para servicios de reparaciones • Загрузка чертежей Для ремонтных мастерских

1840 0000 / 1840 1000 Top spin



21-8803 18012018 / A



Version	Position	Name	Article number	Wishlist
A	1	Dust Drawer Top spin	900037271*	
A	2	Laser module	900021458	
A	3	Laser arm cover	900037267	
A	4	Set of collet and chuck	900037268	
A	5	Dust protection hood	900037575*	
A	6	hardware kit	900037334*	
A	101A	Mains cable 230V	900037576	
A	101B	Mains cable 120V	900037578	
A	102	Drilling unit complete	900021528	
A	103	Printed circuit Top spin	900037258	
A	501A	Pin step drill size 1,98 (3 pcs.)	50100198	
A	501B	Pin step drill size 2,00 (3 pcs.)	50100200*	
A	501C	Pin step drill size 2,02 (3 pcs.)	50100202	
A	502A	Smart-Pin drill size 1,57 (3 pcs.)	3670157*	
A	502B	Smart-Pin drill size 1,59 (3 pcs.)	3670159*	
A	502C	Smart-Pin drill size 1,61 (3 pcs.)	3670161*	

\*) Wear and tear parts, excluded from the guarantee.